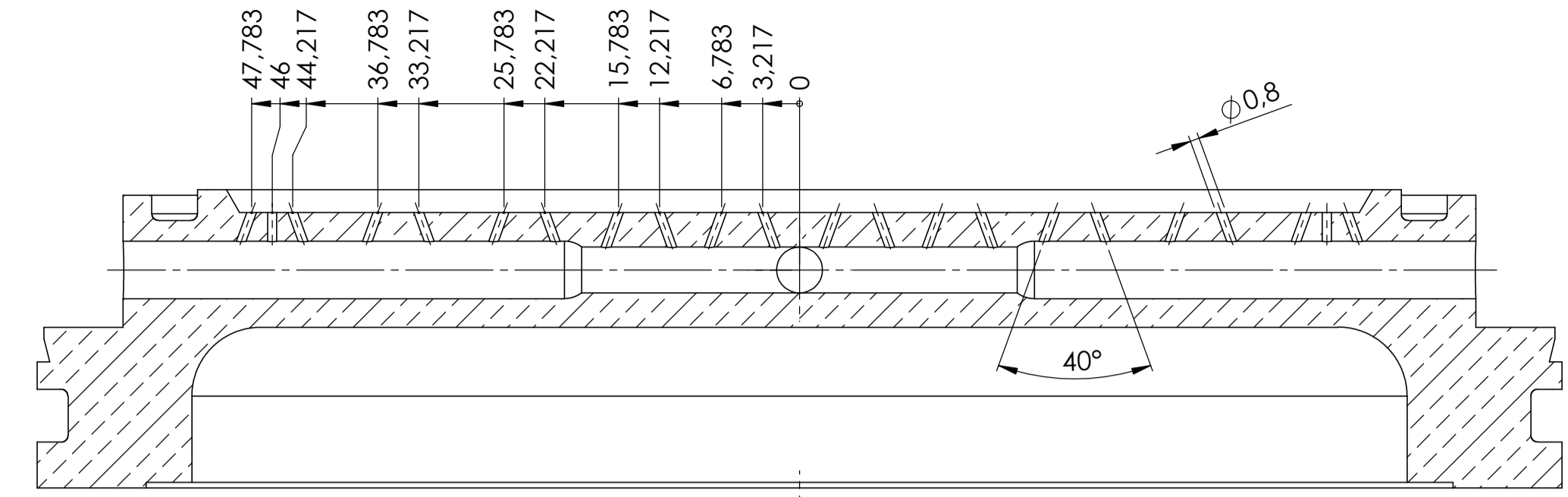
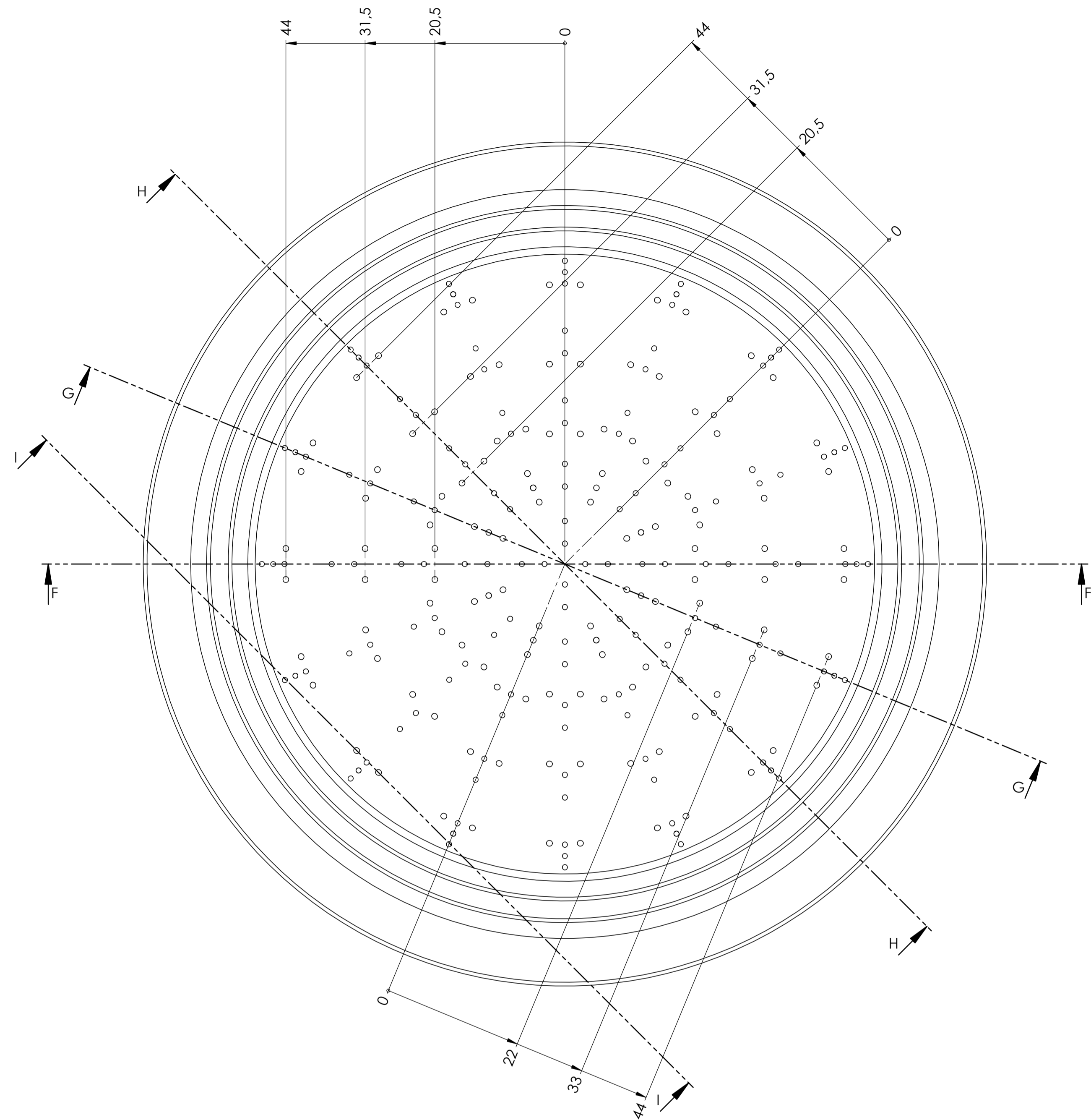
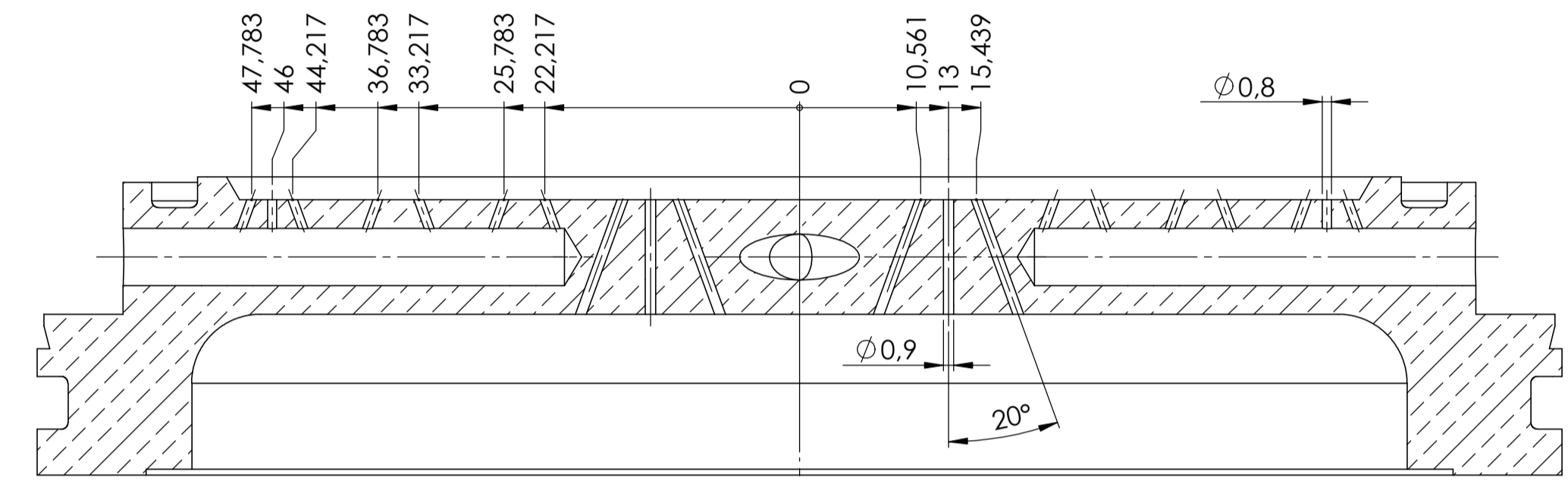


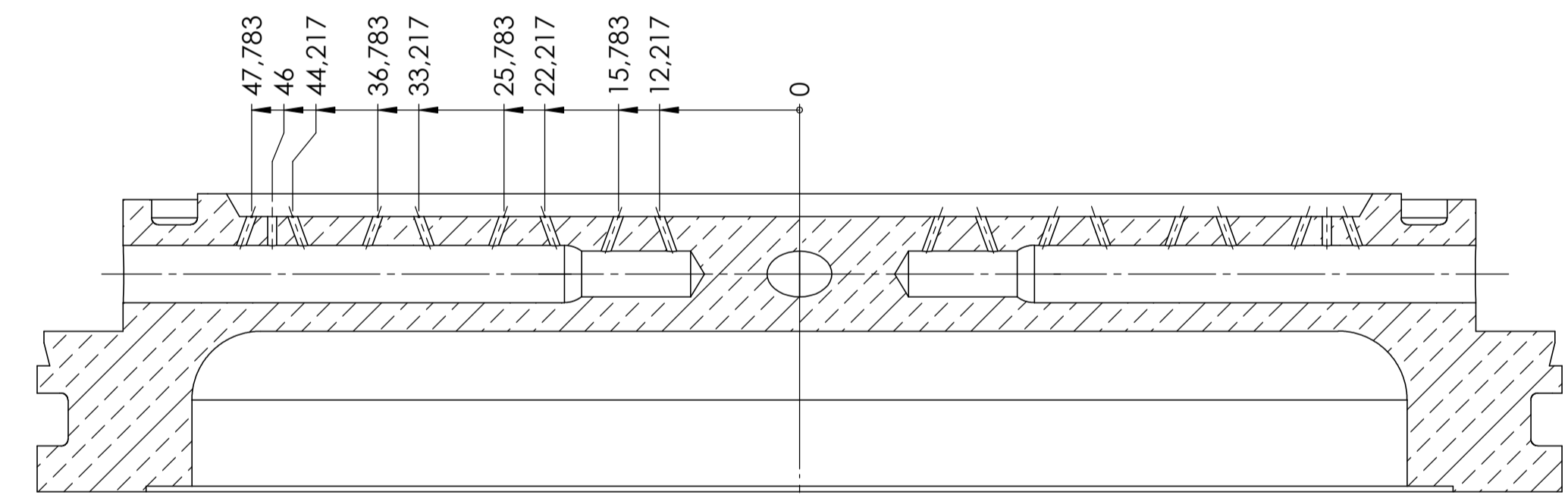
UNLESS OTHERWISE SPECIFIED: DIMENSIONS ARE IN MILLIMETERS				FINISH:	DEBUR AND BREAK SHARP EDGES	DO NOT SCALE DRAWING	REVISION
SURFACE FINISH:							
TOLERANCES:							
LINEAR:							
ANGULAR:							
DRAWN	NAME	SIGNATURE	DATE			TITLE:	
CHK'D							
APP'VD							
MTG							
QA							
				MATERIAL:		DWG: BPM-5 injector v4	A1
				WEIGHT:		SCALE: 1:1	SHEET 1 OF 2



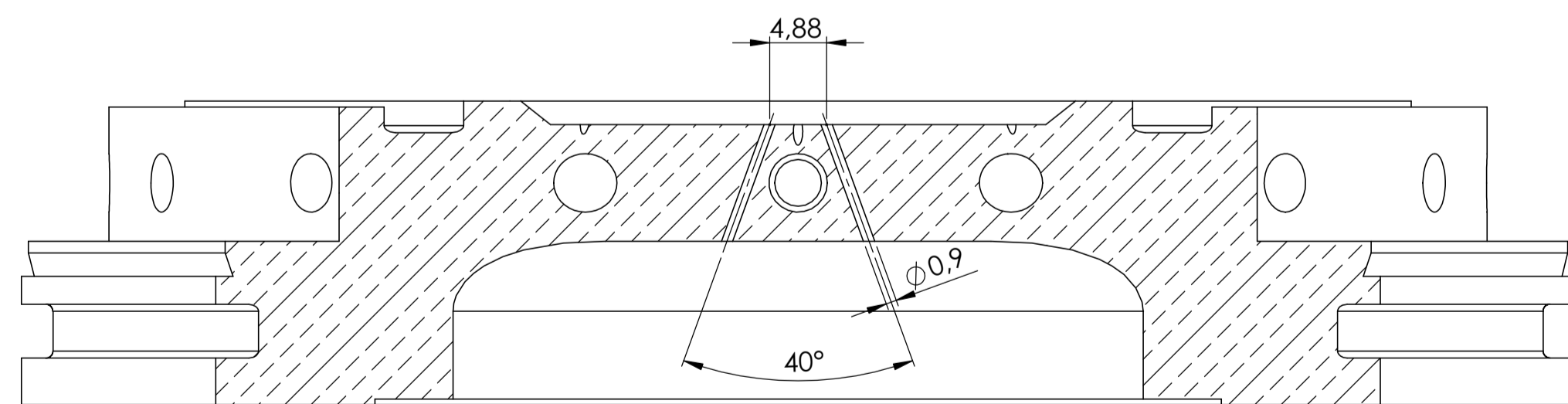
SECTION F-F
SCALE 2 : 1
Gælder for 0° og 90°



SECTION G-G
SCALE 2 : 1
Gælder for 22.5° , 67.5° , 112.5° og 157.5°



SECTION H-H
SCALE 2 : 1
Gælder for 45° og 135°



SECTION I-I
SCALE 2 : 1

UNLESS OTHERWISE SPECIFIED: DIMENSIONS ARE IN MILLIMETERS SURFACE FINISH: TOLERANCES: LINEAR: ANGULAR:		FINISH:	DEBUR AND BREAK SHARP EDGES	DO NOT SCALE DRAWING	REVISION:
NAME	SIGNATURE	DATE			TITLE:
DRAWN					
CHECK'D					
APP'VD					
MTG					
Q.A.			MATERIAL:		DWG: BPM-5 injector v4 A1
			WEIGHT:		SCALE: 1:1 SHEET 2 OF 2